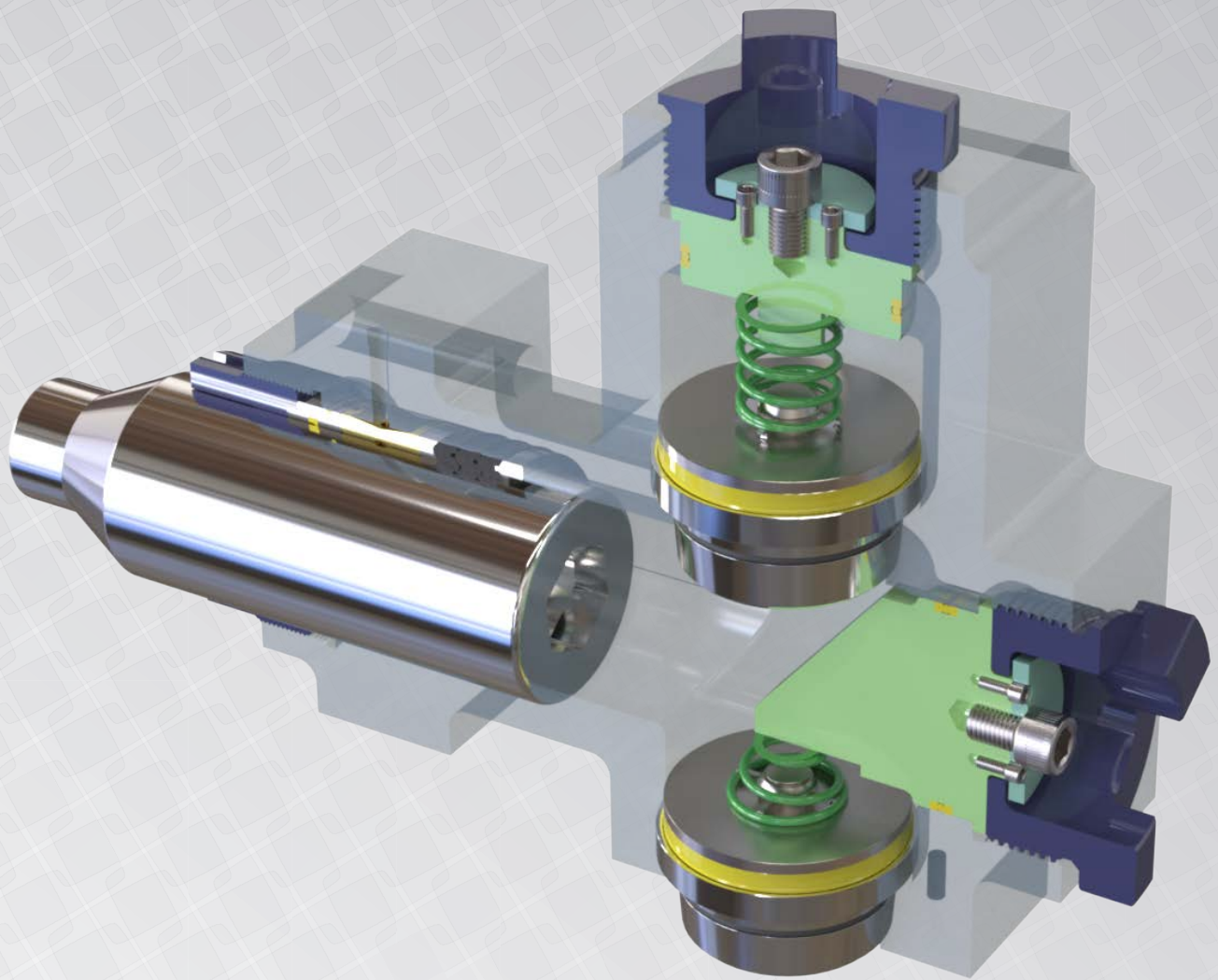
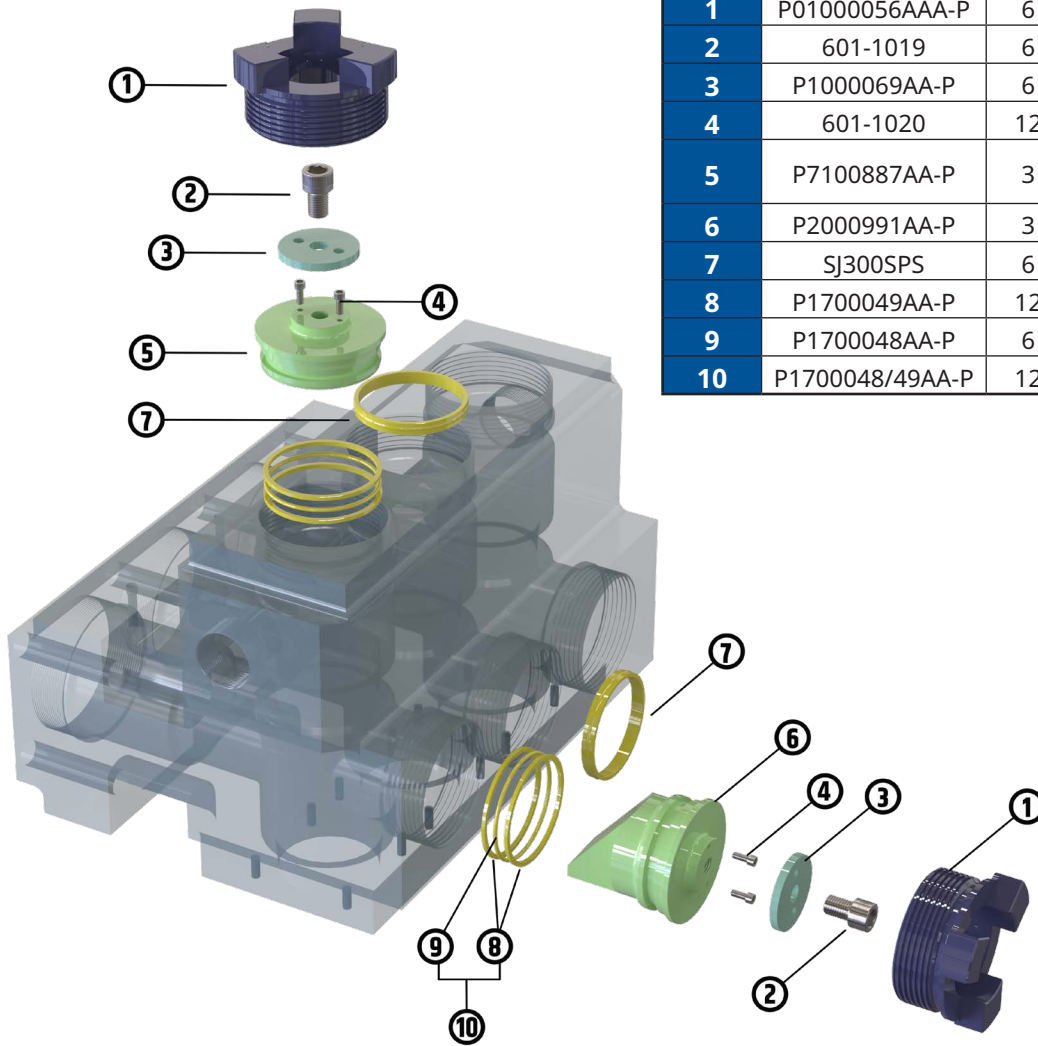


# SJ-300 Fluid End Parts

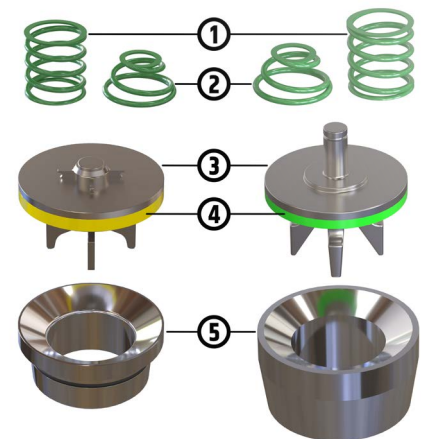


# SJ-300 Fluid End Parts

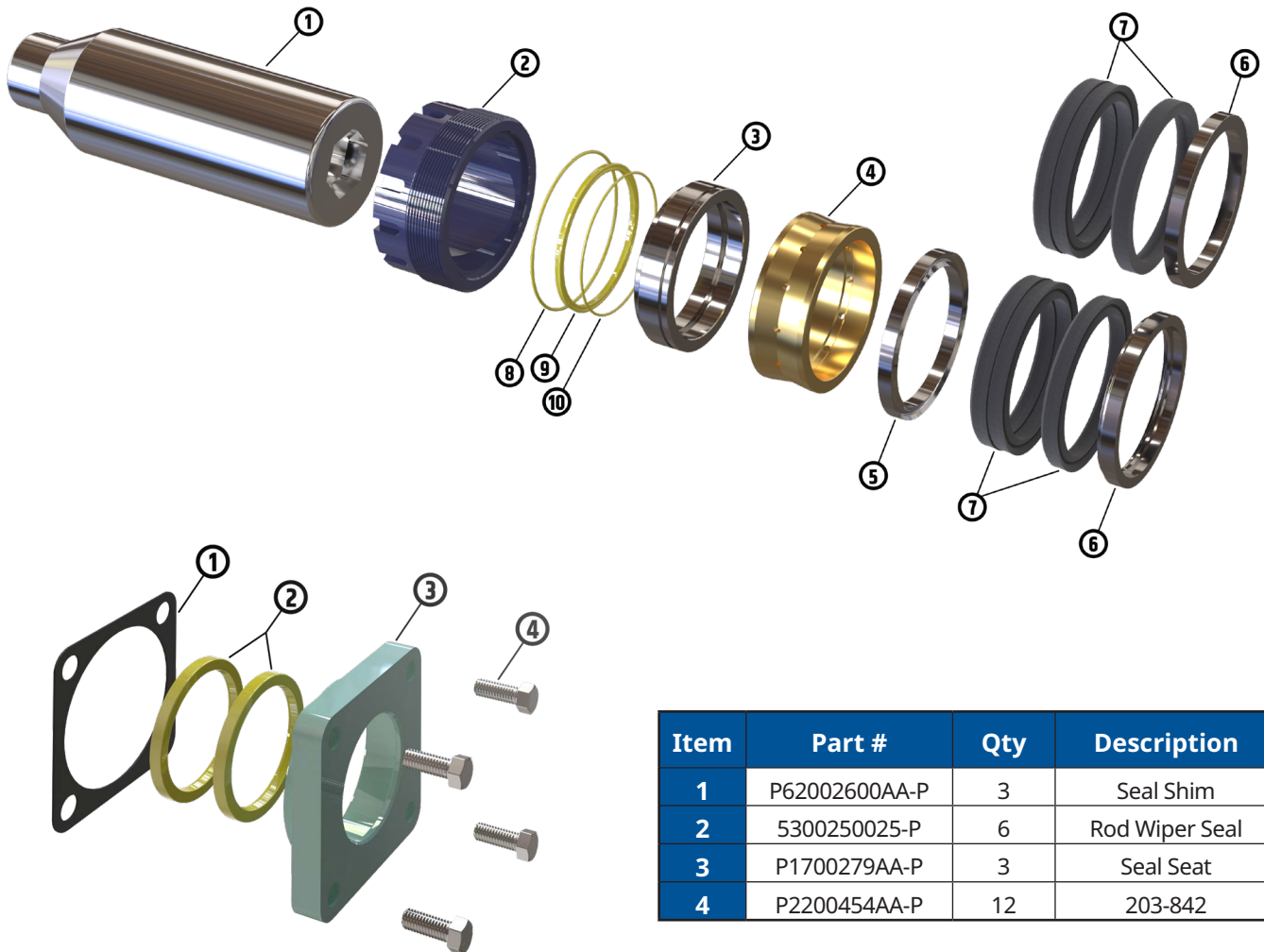


Item	Part	QTY	Description
1	P01000056AAA-P	6	6" Thread Gland
2	601-1019	6	Socket Head Capscrew
3	P1000069AA-P	6	Base Plate
4	601-1020	12	Allen Bolt
5	P7100887AA-P	3	Valve Cover Plug (Discharge)
6	P2000991AA-P	3	Valve Cover Plug (Suction)
7	SJ300SPS	6	Valve Plug Seal
8	P1700049AA-P	12	Back Up Ring
9	P1700048AA-P	6	O-Ring
10	P1700048/49AA-P	12	Valve Cover Seal Set

Item	Description	Caliber® (Replaceable Insert)	Caliber® Bonded (Hi Temp)	Full Open Oem Style	Full Open Oem Style (Hi Temp)
1	Valve Spring (Discharge)	5710-SJDIS-P		P9000018AA-P	
2	Valve Spring (Suction)	5710-SJSUC-P		P9000019AA-P	
3	Valve Assembly	510-51V00-00	510-52V00-HT	P900018AA-P	P900018HT-P
4	Valve Insert	NF-5-I-P	N/A	P170050AA-P	P1700051HT-P
5	Valve Seat	510-59F00-10		P1100101AA-P	



Item	Description	Qty	Leak Proof Assembly	Flat Ring Assembly
1	Plunger, 5"	3	P2300151AA-P	
2	Packing Nut (Brass), 5" SJ-300	3	P1300079AA-P	
3	Sealing Ring	3	P1400159AA-P	
4	Guiding Ring	3	P1400160AA-P	
5	Pressure Disc	3	P1400161AA-P	
6	Packing Seat Ring	3	P1400162AA-P	72A-SJ-250-B-P
7	Plunger Packing, 5" Rubber Only (Includes Items 8-10)	3	P14/700161AA-P	72A-SJ-250-P-P
8	O-Ring	3	P1700160AA-P	
9	Rubber Sealing Ring, 5"	3	P1700158AA-P	
10	O-Ring	3	P1700159AA-P	



Item	Part #	Qty	Description
1	P62002600AA-P	3	Seal Shim
2	5300250025-P	6	Rod Wiper Seal
3	P1700279AA-P	3	Seal Seat
4	P2200454AA-P	12	203-842

## CORPORATE

### Premium Oilfield Technologies - USA

10600 W. Sam Houston Pkwy. North  
Houston, TX 77064  
T: +1 281.670.5200

## MANUFACTURING & REPAIR

### Premium Drilling Equipment and Support

9841 Windmill Park Ln.  
Houston, TX 77064  
T: +1 281.670.5200

### Patriot and Urethane

10600 W. Sam Houston Pkwy. N.  
Houston, TX 77064  
T: +1 281.670.5228

### West Texas Operations All Divisions

10207 West Industrial Ave.  
Midland, TX 79706  
T: +1 432.563.2328

### Patriot Screens

4602 S. MacArthur Blvd.  
Oklahoma City, OK 73179  
T: +1 405.470.6553

### Canada Operations All Divisions

107-6704-41 Street  
Leduc, Alberta  
Canada T9E 0Z4  
T: +1 877.593.0034

## FIELD SALES, SERVICES AND REPAIR OFFICES

California / Colorado / Louisiana / New Mexico / North Dakota / Oklahoma / Pennsylvania / Texas / Utah / Wyoming

## INTERNATIONAL

### KUWAIT

**Premium Oilfield Technologies**  
P.O. Box 721  
Yarmouk, Kuwait 72658  
T: +965 99679126  
T: +965 66022296

### UAE

**Premium Oilfield Technologies  
Trading LLC**  
P.O. Box 89561  
Dubai, UAE  
T: +971 55 889 7210  
T: +971 56 986 3834

### INDIA

**PMR Mud Riggers India  
Private Limited**  
S-Block-232, MIDC  
Bhosari, Pune MH 411026  
India

### UAE

**Premium Oilfield Technologies FZE  
Top Drive Solutions**  
S700, PLOT S30229  
Jebel Ali Free Zone (South)  
P.O. Box 262263  
Dubai, UAE  
T: +971 4 889 4897  
T: +971 506587570

### SAUDI ARABIA

**Premium Mud Pumps Trading Est.**  
P.O. Box 956  
Dammam, KSA  
Postal Code: 31951  
T: +966 50 0157516

### UAE

**Premium Oilfield Technologies FZE  
Mud Pump Solutions**  
S700, PLOT S30229  
Jebel Ali Free Zone (South)  
P.O. Box 262263  
Dubai, UAE  
T: +971 4 889 4897  
T: +971 558897210



Premium Oilfield Technologies  
Q1-3977  
ISO 9001:2015  
Certificate Number: 5028



[sales@premiumoilfield.com](mailto:sales@premiumoilfield.com)  
[premiumoilfield.com](http://premiumoilfield.com)

121124

**SUR-LOCK**

**CALIBER**

**TRU-FLOW**

**PATRIOT™**



**LOGAN**  
Power Swivel