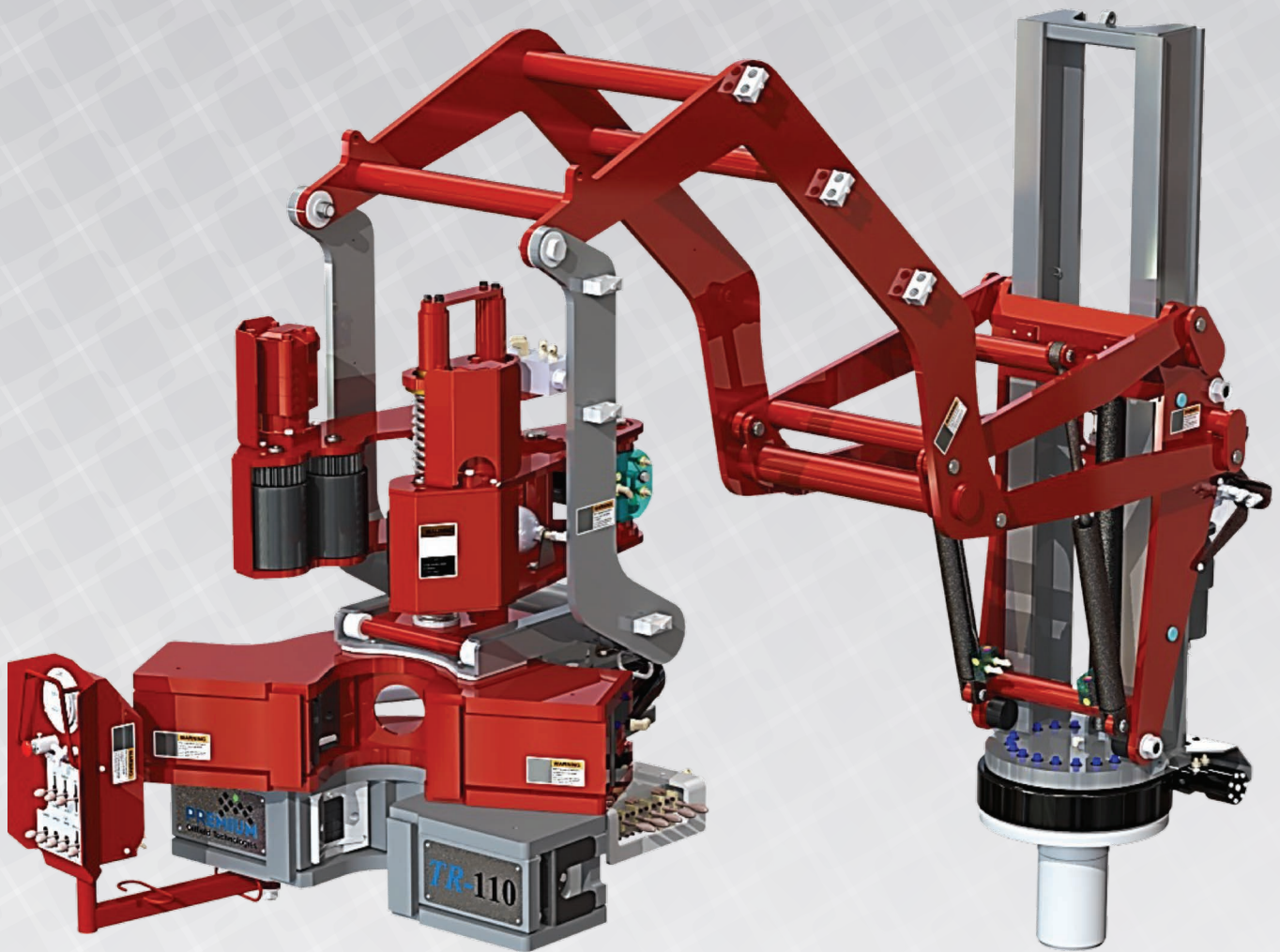
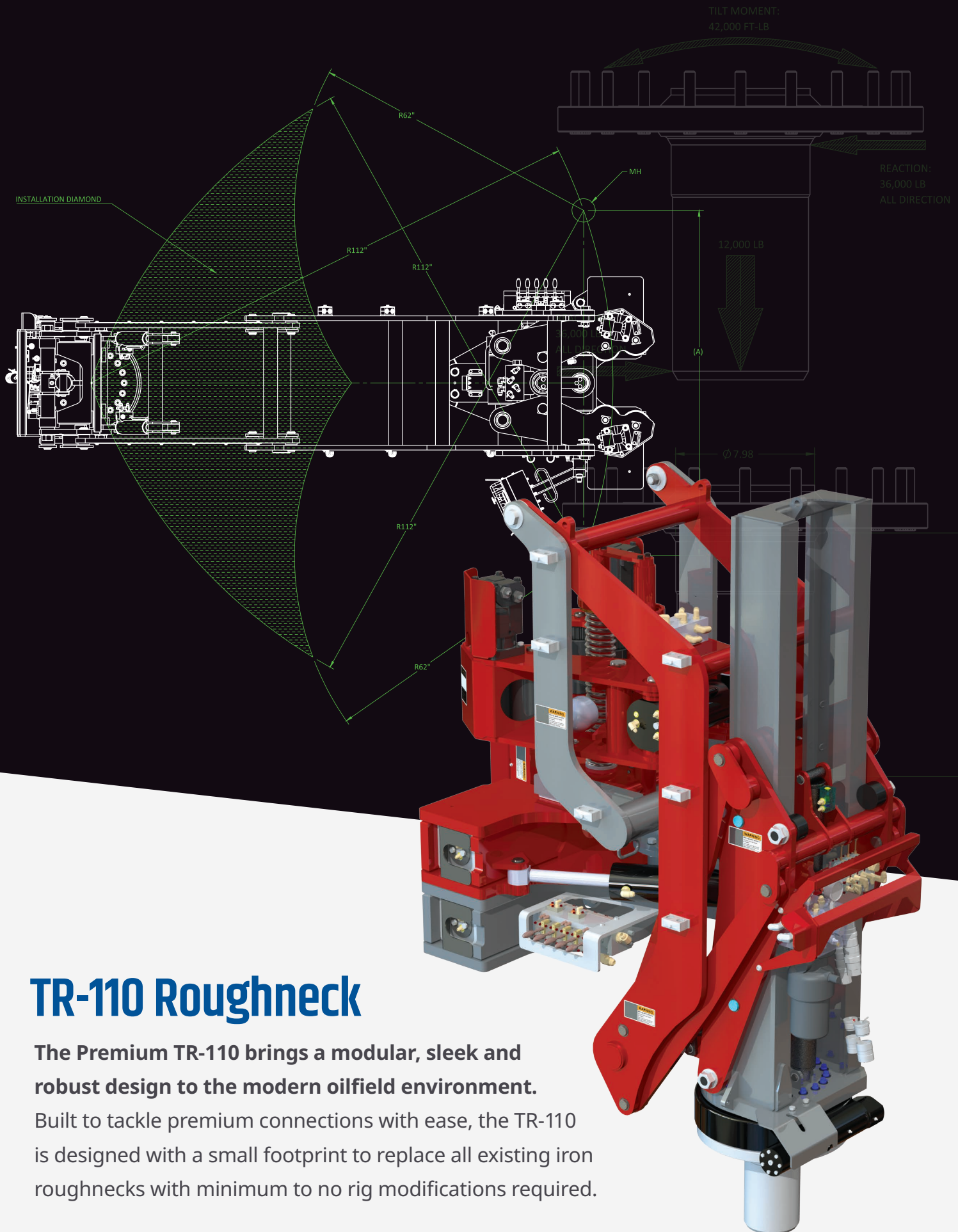


# TR-110 Roughneck





# TR-110 Roughneck

**Premium Oilfield Technologies** provides performance enhancing solutions for the oil and gas industry, that meet the strictest safety standards. **The TR-110 Roughneck completes the toughest jobs while decreasing downtime, improving safety and performing in harsh drilling environments.**

## Performance

- Torque accuracy
- Dual torque cylinder system
- Optimized geometry
- Floating upper grip system
- Makes or breaks connections with a single bite
- Automation capable

## Service

- Safety: smaller footprint leaves more area for rig crews to work
- Minimal grease points
- Extended life spinner rollers
- Easy access to hydraulic hoses, cylinders, motors and consumables

## Total Cost of Ownership

- Simple installation
- Low cost of maintenance
- Competitively priced
- Minimum to no rig modifications required

## Dimensions

45.5" W x 60" D x 88.5" H

## Torque Wrench Assembly

- Make-up torque: 90,000 ft. lb.
- Break-out torque: 110,000 ft. lb.
- Wrench assembly rotation: 35°

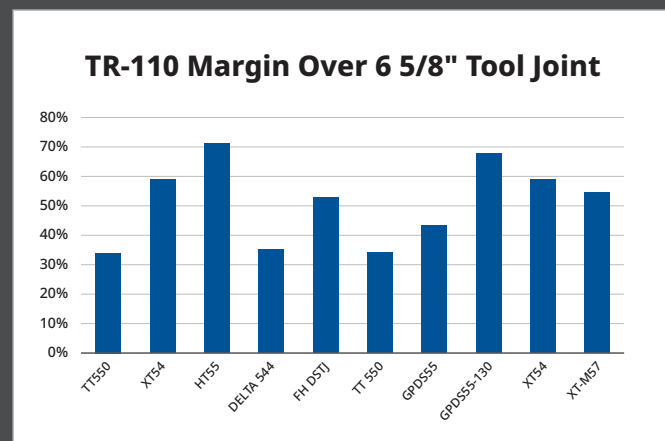
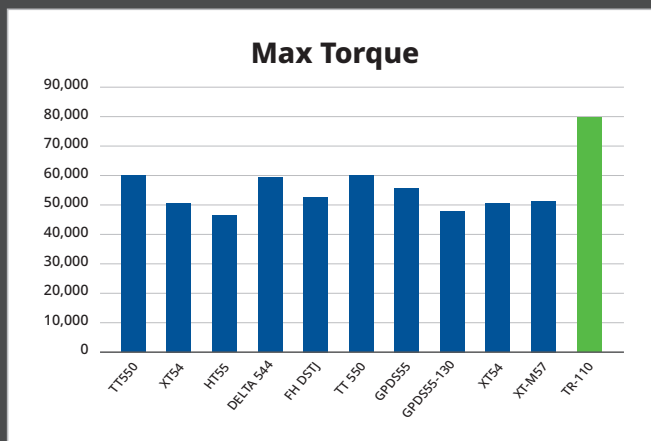
## Arm Assembly

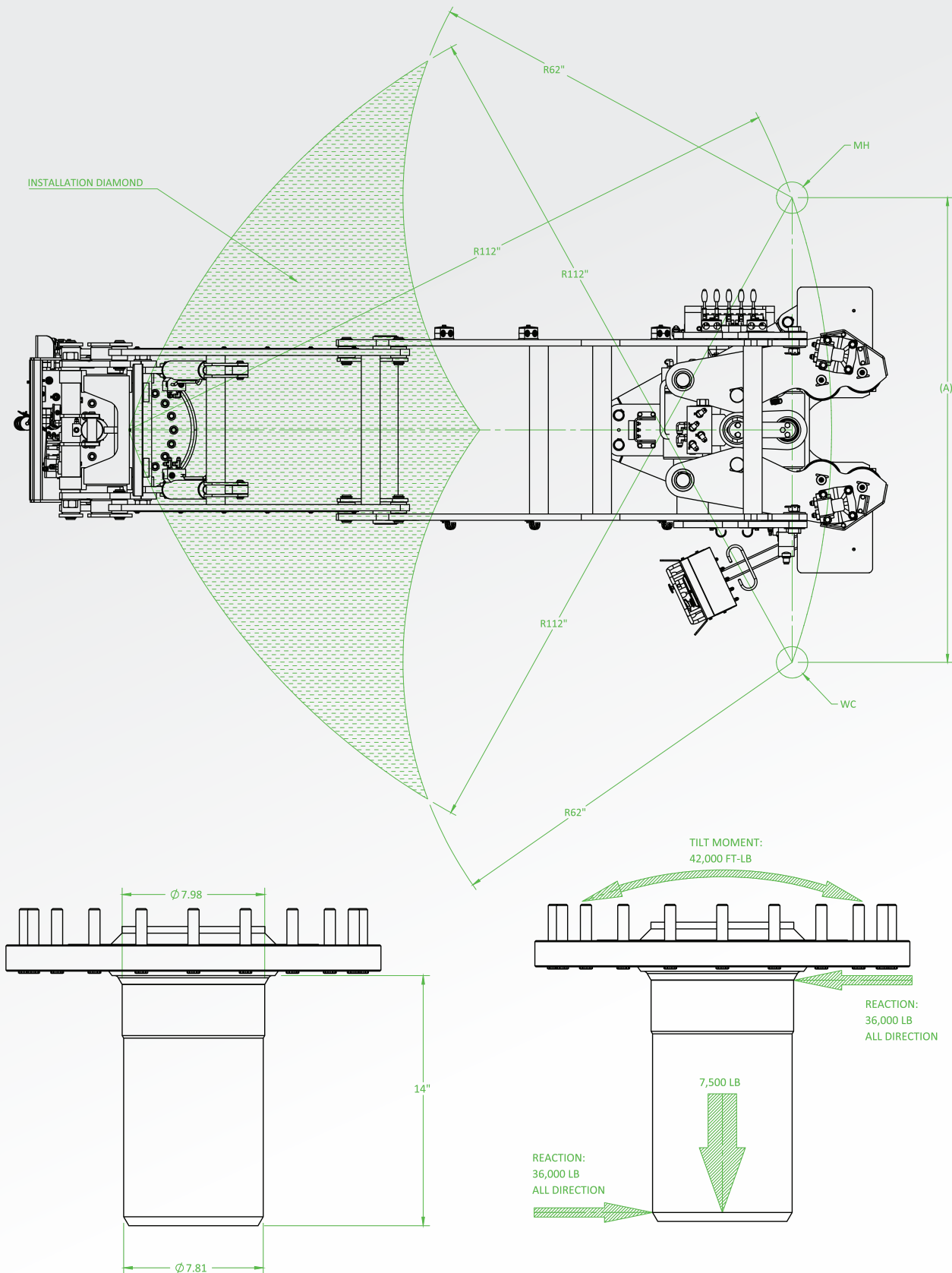
- Connection height: 30" – 66"
- Max horizontal reach: 112.5"
- Advanced rotation from control panel
- Control panel can be installed on left or right sides of the tool

## Spinner Wrench

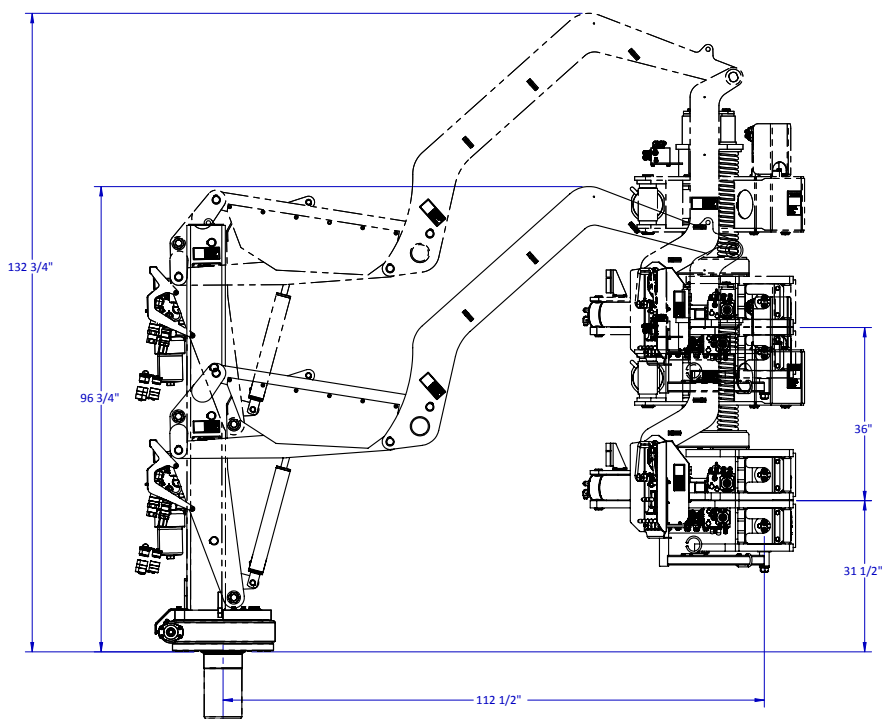
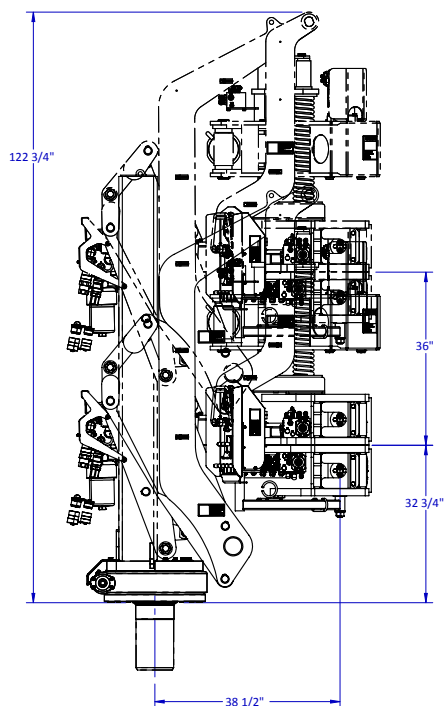
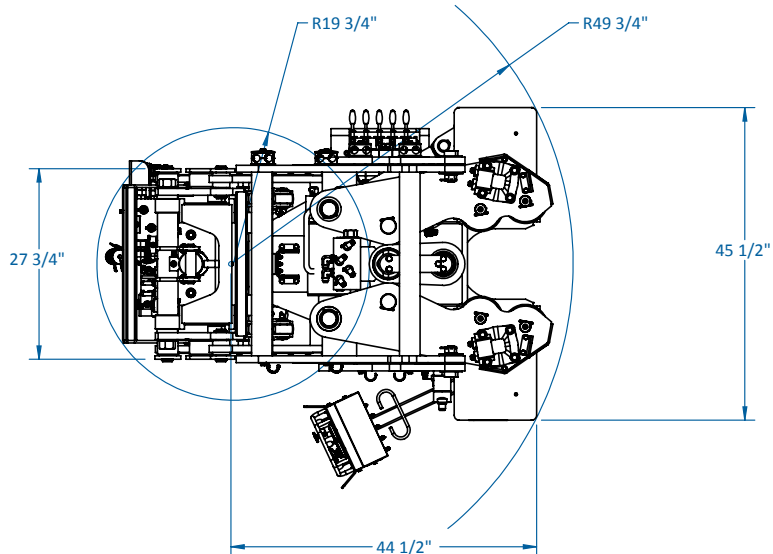
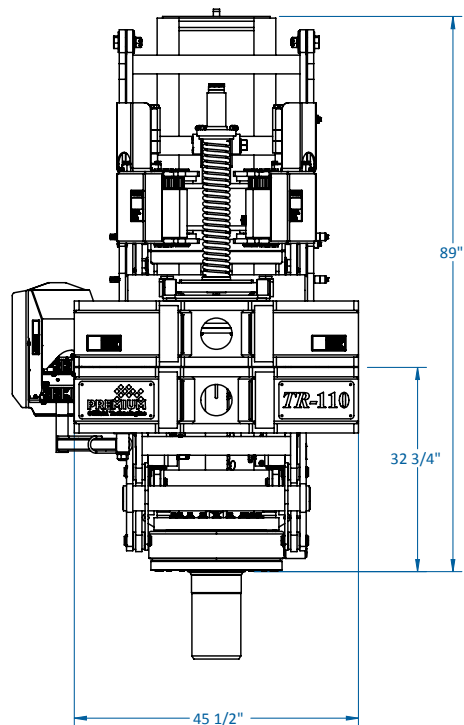
- Drill pipe: 3.5" to 10" OD
- Spinning torque @ 5" OD: 2,000 ft-lb
- Spinning torque @ 5" OD: 85 RPM

## TR-110 vs. 5 1/2" Drill Pipes





# Dimensional Data





## CORPORATE

### Premium Oilfield Technologies - USA

10600 W. Sam Houston Pkwy. North  
Houston, TX 77064  
T: +1 281.670.5200

## MANUFACTURING & REPAIR

### Premium Drilling Equipment and Support

9841 Windmill Park Ln.  
Houston, TX 77064  
T: +1 281.670.5200

### Patriot and Urethane

10600 W. Sam Houston Pkwy. N.  
Houston, TX 77064  
T: +1 281.670.5228

### West Texas Operations All Divisions

10207 West Industrial Ave.  
Midland, TX 79706  
T: +1 432.563.2328

### Patriot Screens

4602 S. MacArthur Blvd.  
Oklahoma City, OK 73179  
T: +1 405.470.6553

### Canada Operations All Divisions

107-6704-41 Street  
Leduc, Alberta  
Canada T9E 0Z4  
T: +1 877.593.0034

## FIELD SALES, SERVICES AND REPAIR OFFICES

California / Colorado / Louisiana / New Mexico / North Dakota / Oklahoma / Pennsylvania / Texas / Utah / Wyoming

## INTERNATIONAL

### KUWAIT

**Premium Oilfield Technologies**  
P.O. Box 721  
Yarmouk, Kuwait 72658  
T: +965 99679126  
T: +965 66022296

### UAE

**Premium Oilfield Technologies Trading LLC**  
P.O. Box 89561  
Dubai, UAE  
T: +971 55 889 7210  
T: +971 56 986 3834

### INDIA

**PMR Mud Riggers India Private Limited**  
S-Block-232, MIDC  
Bhosari, Pune MH 411026  
India

### UAE

**Premium Oilfield Technologies FZE Top Drive Solutions**  
S700, PLOT S30229  
Jebel Ali Free Zone (South)  
P.O. Box 262263  
Dubai, UAE  
T: +971 4 889 4897  
T: +971 506587570

### SAUDI ARABIA

**Premium Mud Pumps Trading Est.**  
P.O. Box 956  
Dammam, KSA  
Postal Code: 31951  
T: +966 50 0157516

### UAE

**Premium Oilfield Technologies FZE Mud Pump Solutions**  
S700, PLOT S30229  
Jebel Ali Free Zone (South)  
P.O. Box 262263  
Dubai, UAE  
T: +971 4 889 4897  
T: +971 558897210



Premium Oilfield Technologies  
Q1-3977  
ISO 9001:2015  
Certificate Number: 5028



[sales@premiumoilfield.com](mailto:sales@premiumoilfield.com)  
[premiumoilfield.com](http://premiumoilfield.com)

121124

**SUR·LOCK**

**CALIBER**

**TRU·FLOW**

**PATRIOT™**



**LOGAN**  
Power Swivel